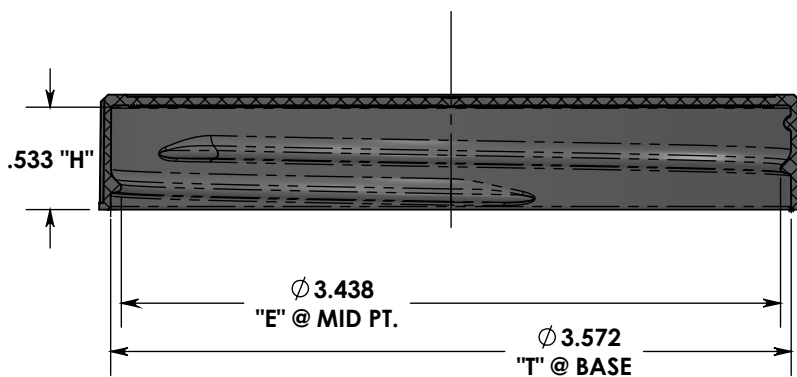
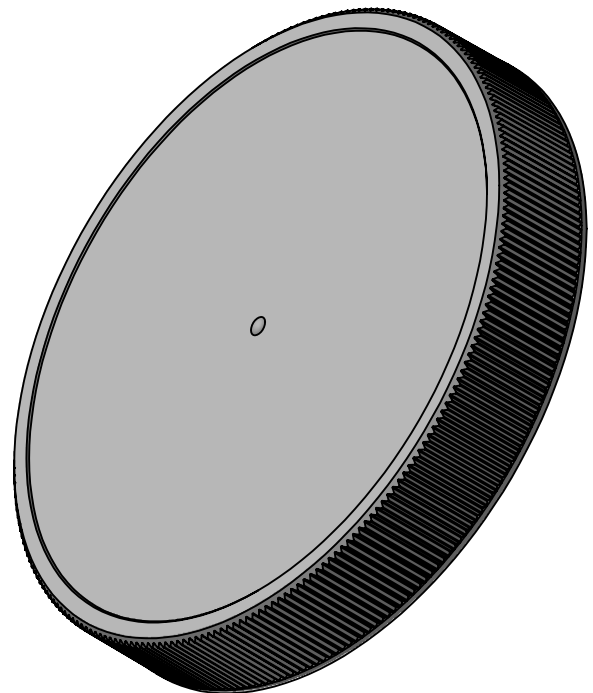


**HATCHED AREA & RIBS
LITE STIPPLE FINISH
UNSPECIFIED AREAS FINISHED
SPI-B2 POLISH**



SECTION D-D



**THREAD DATA:
89-400 FINISH
.200 PITCH (5 TPI)
APPROX 1-1/8 TURNS**

**ADVERTISING DRAWING
NOT FOR QUALITY CONTROL**

PROPRIETARY AND CONFIDENTIAL	
THE INFORMATION CONTAINED IN THIS DRAWING IS THE SOLE PROPERTY OF COMET TOOL CO. ANY REPRODUCTION IN PART OR AS A WHOLE WITHOUT THE WRITTEN PERMISSION OF COMET TOOL CO. IS PROHIBITED.	
MATERIAL	
POLYPROPYLENE	
DRAWN BY	
JJM	

COMET TOOL COMPANY					
651 LAMBS RD. PITMAN, N.J 08071-2042					
89-400 CT CLOSURE					
FINE SERRATED W/CHAMFER & MATTE FINISH					
TITLE:	PLASTIC PART NO.	PLASTIC PART REV.	DWG. NO.	SIZE	REV
	1340-0012	*	1340-0012-EXP	A	9/16/10
				SCALE: 1:1	SHEET 2 OF 2